

# SMART Board<sup>®</sup> M600 Interactive Whiteboard

These drawings are for outline and installation purposes only.

All dimensions are given in inches (millimeters).

Dimensions are subject to change without notice.

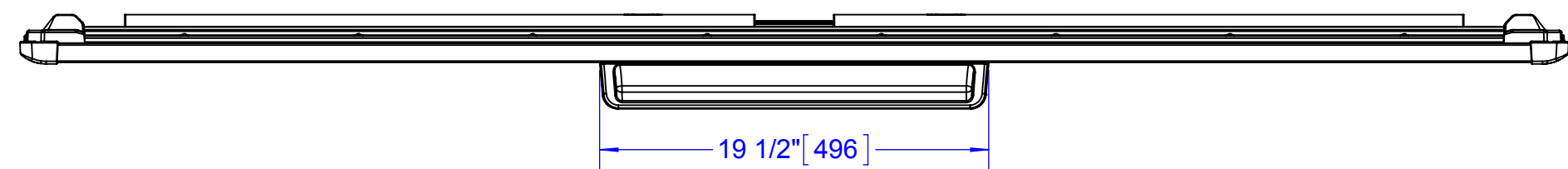
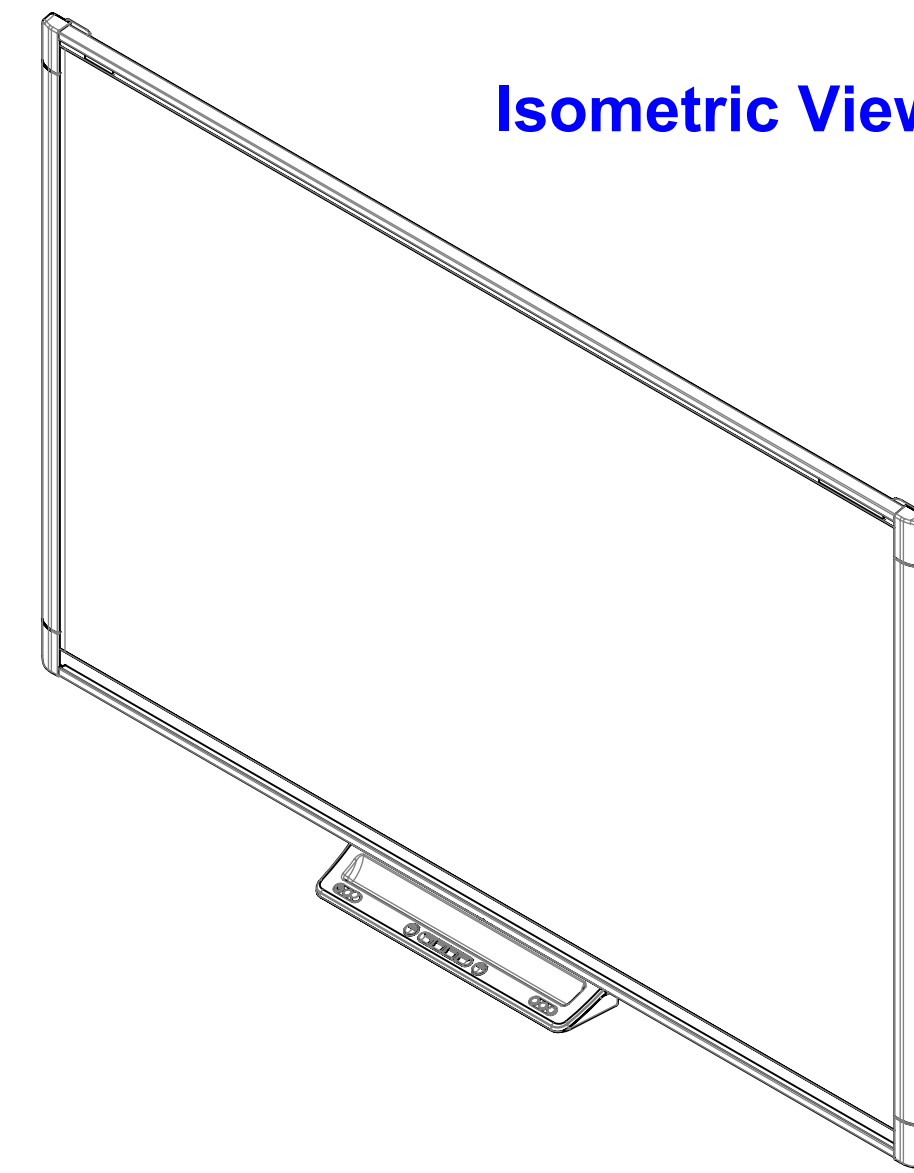
All dimensions +/-1/8 (3mm)

NOTE: DO NOT SCALE

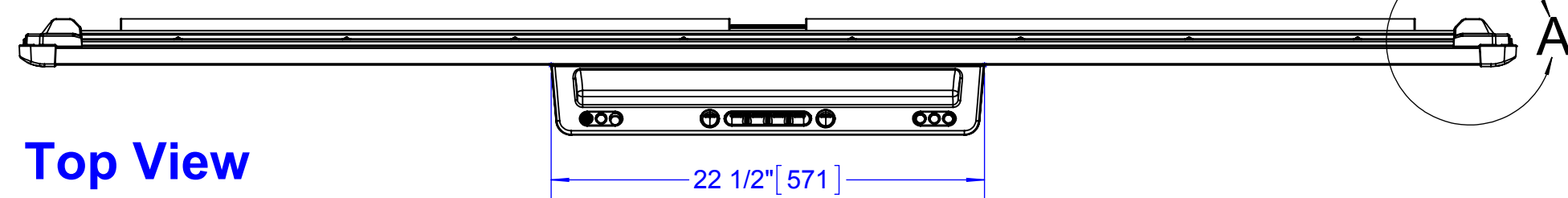
The contents of this document are compiled from a variety of documents to provide a consolidated view of key criteria. Should there be any information you need that is not adequately captured in either this document or the related documents, please contact us at [ecosystem@smarttech.com](mailto:ecosystem@smarttech.com) for assistance.

This document is uncontrolled at the time of printing. Please ensure you are using the latest revision available at [sen.smarttech.com](http://sen.smarttech.com)

### Isometric View

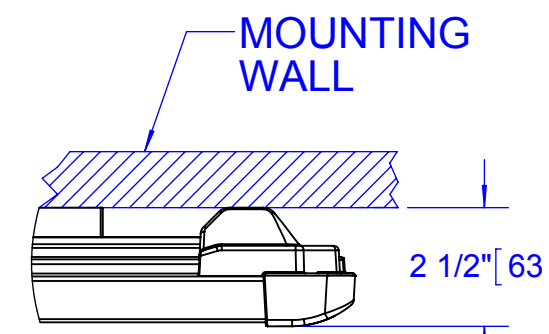


### PEN LEDGE CONFIGURATION

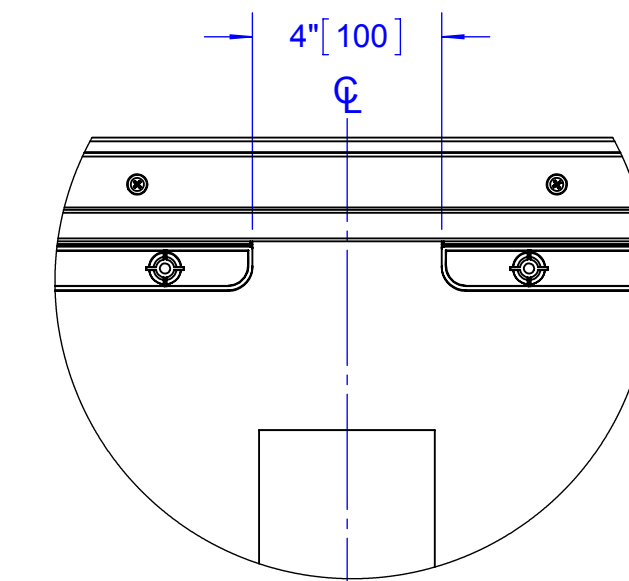


### Top View

### ACTIVE PEN TRAY CONFIGURATION

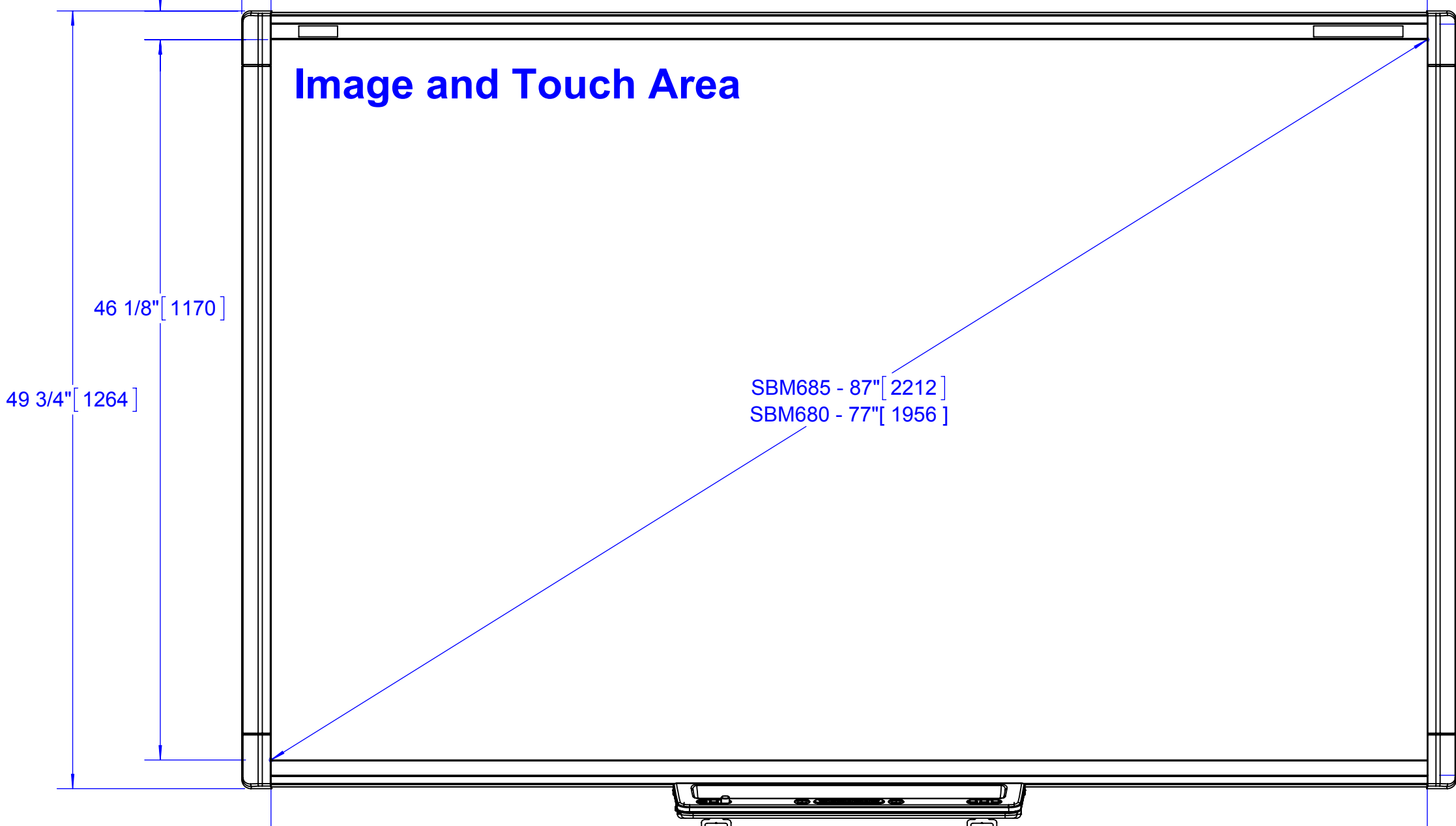
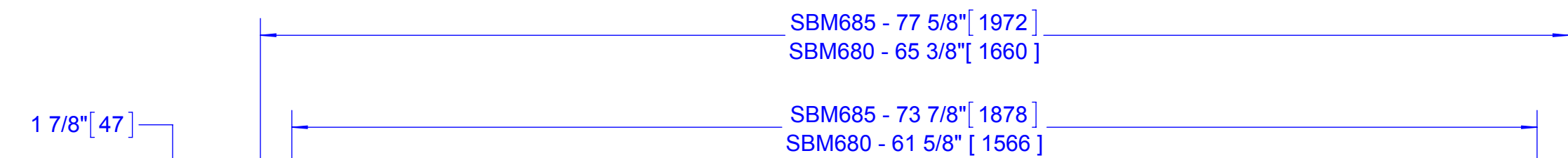


### DETAIL A SCALE 1 : 4



### DETAIL B SCALE 1 : 4

### WALL MOUNT BRACKETS SBM685 CONFIGURATION

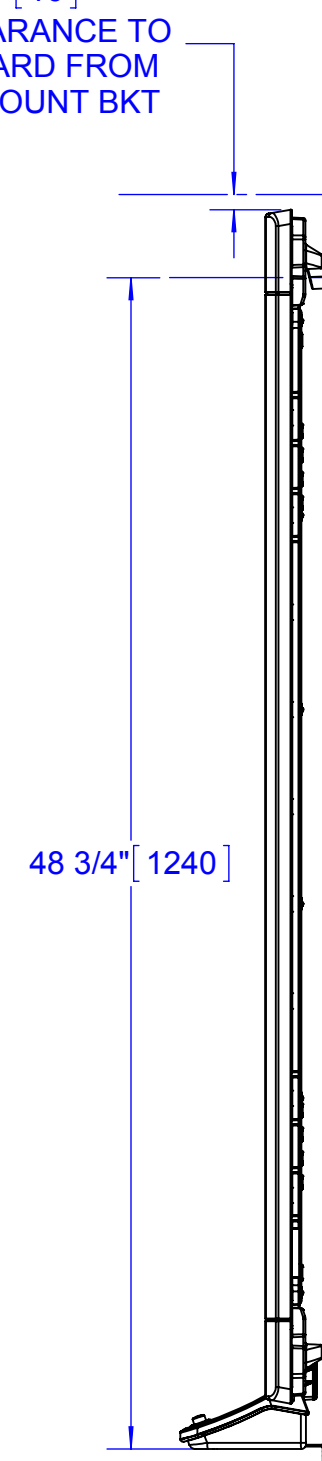


### Image and Touch Area

**KEEP OUT ZONE**  
Do not install objects inside this zone from image surface up to top surface of bezels

### Front View

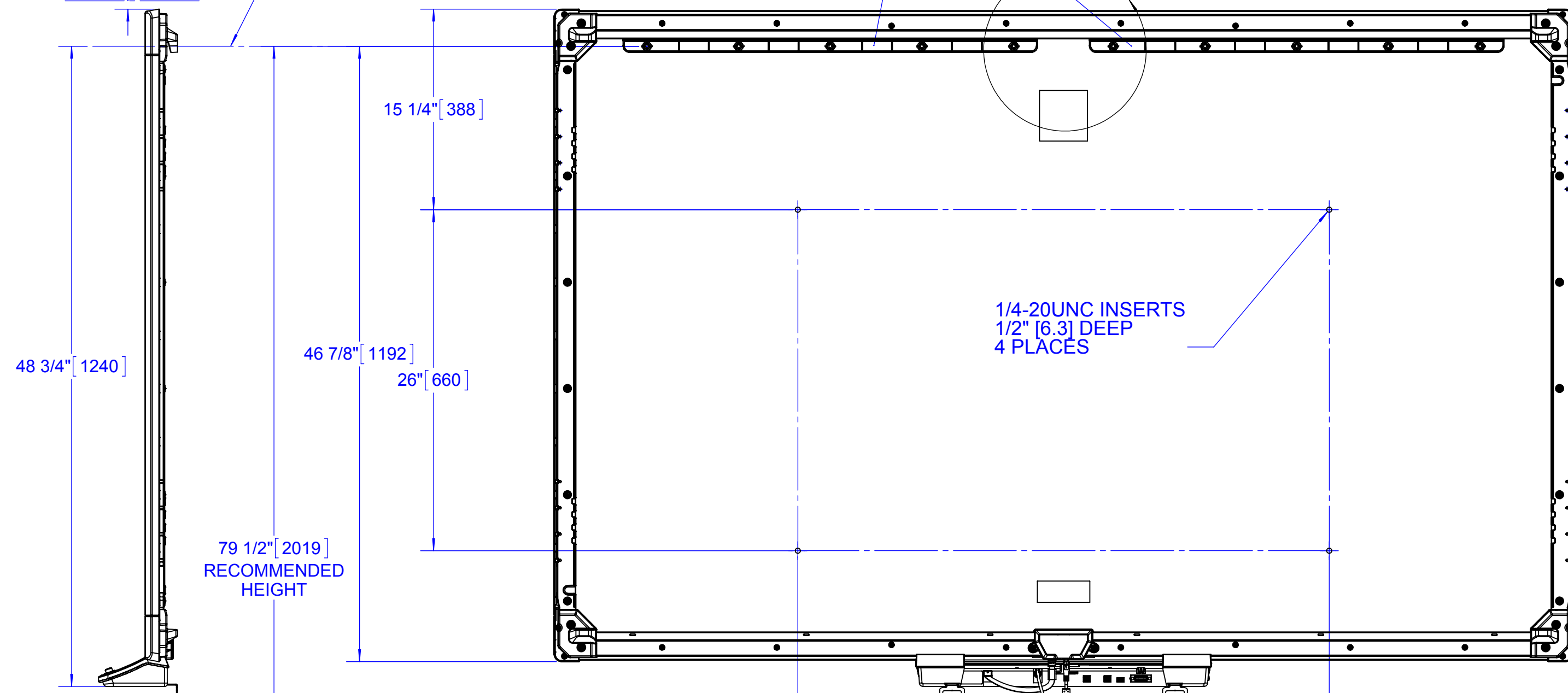
5/8" [16]  
MIN CLEARANCE TO LIFT BOARD FROM WALL MOUNT BKT



### Side View

79 1/2" [2019]  
RECOMMENDED HEIGHT

WALL MOUNT BRACKETS SECURING SCREWS AXIS



### Back View



3636 Research Road NW  
Calgary, Alberta T2L 1Y1  
CANADA

© 2012 SMART Technologies ULC. All rights reserved. The SMART logo, smarttech and all SMART taglines are trademarks or registered trademarks of SMART Technologies ULC in the U.S. and/or other countries.

This product and/or use thereof covered by one or more of the following U.S. patents.

[www.smarttech.com/patents](http://www.smarttech.com/patents)

# SMART Board<sup>®</sup> M600 Interactive Whiteboard

These drawings are for outline and installation purposes only.

All dimensions are given in inches (millimeters).

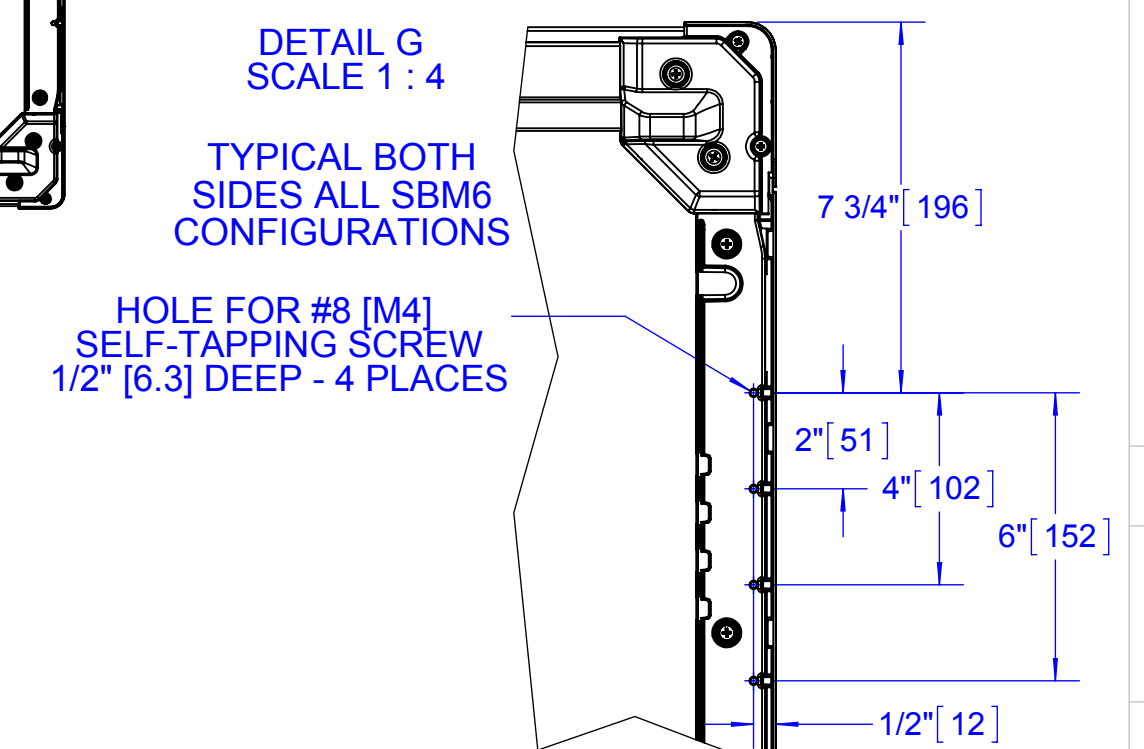
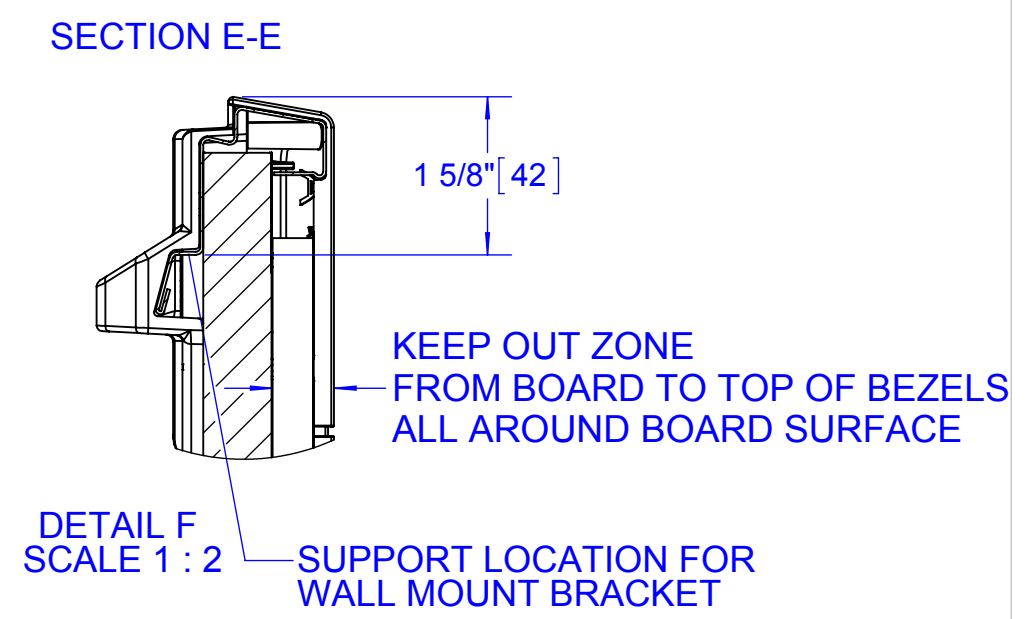
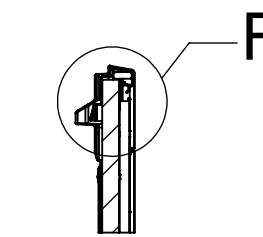
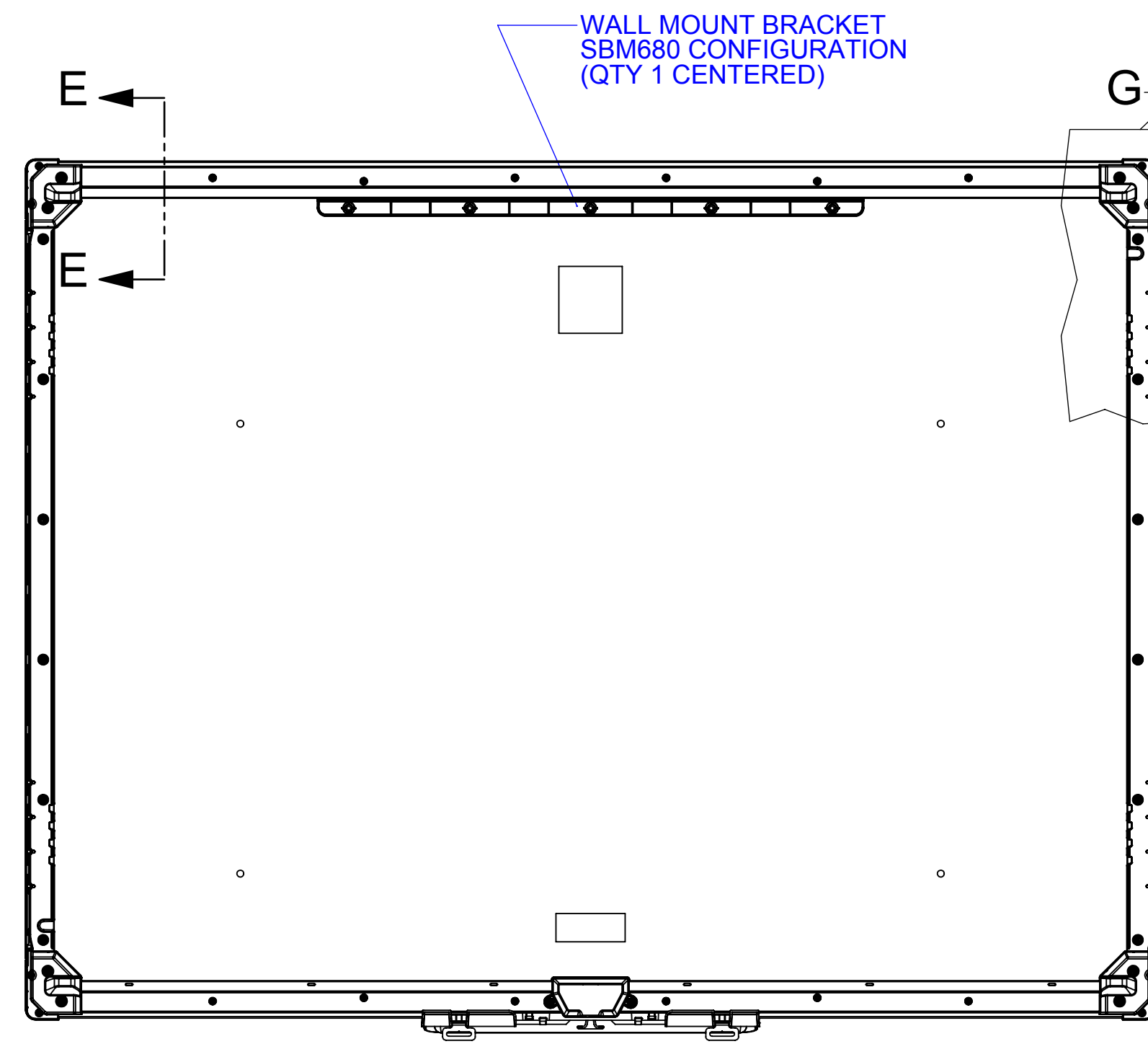
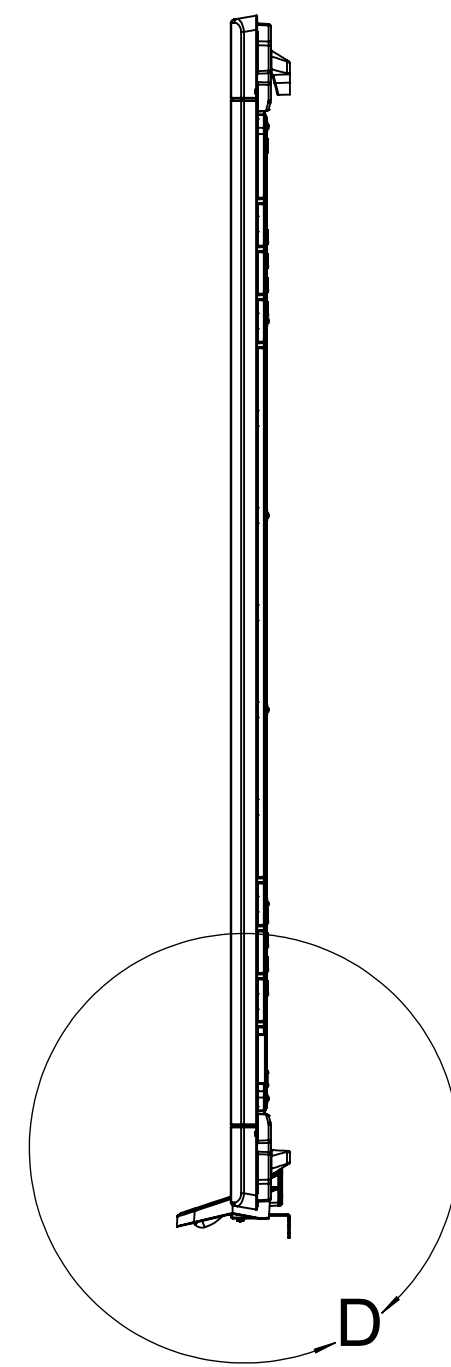
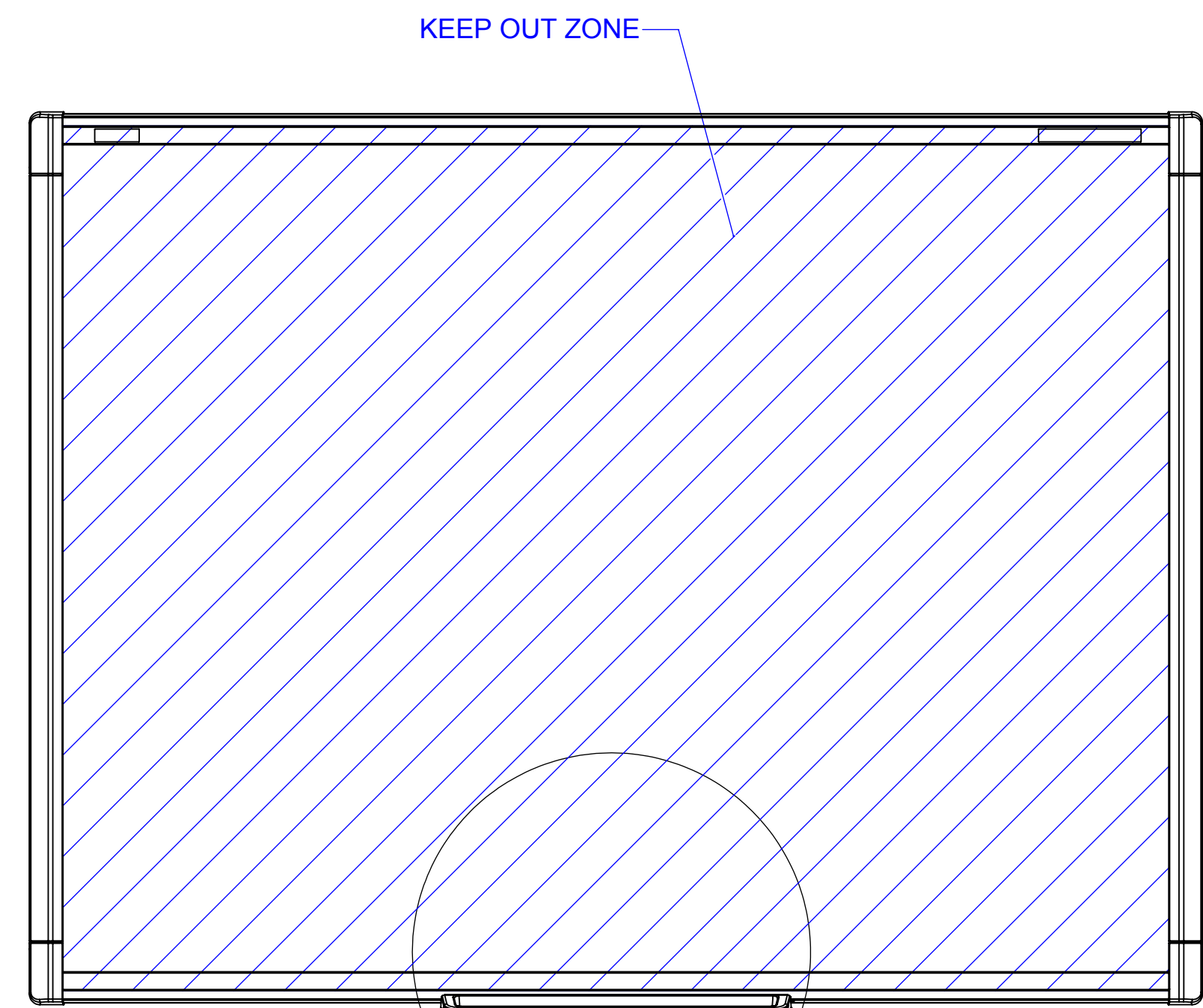
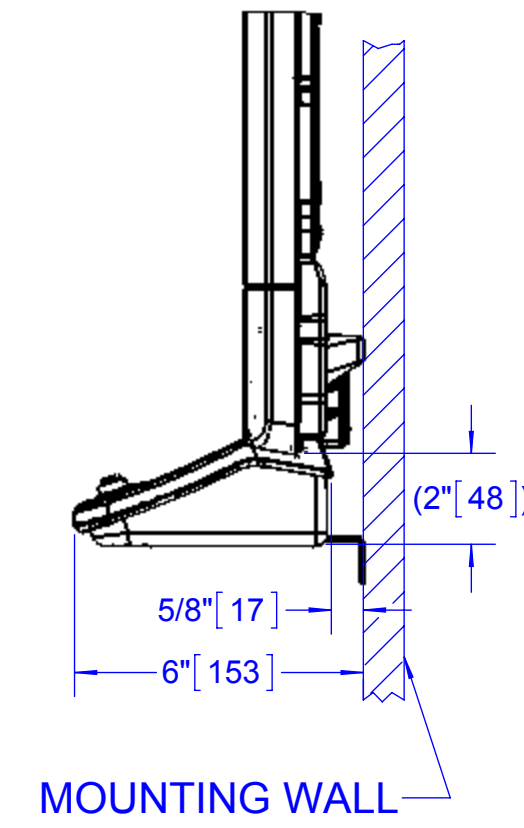
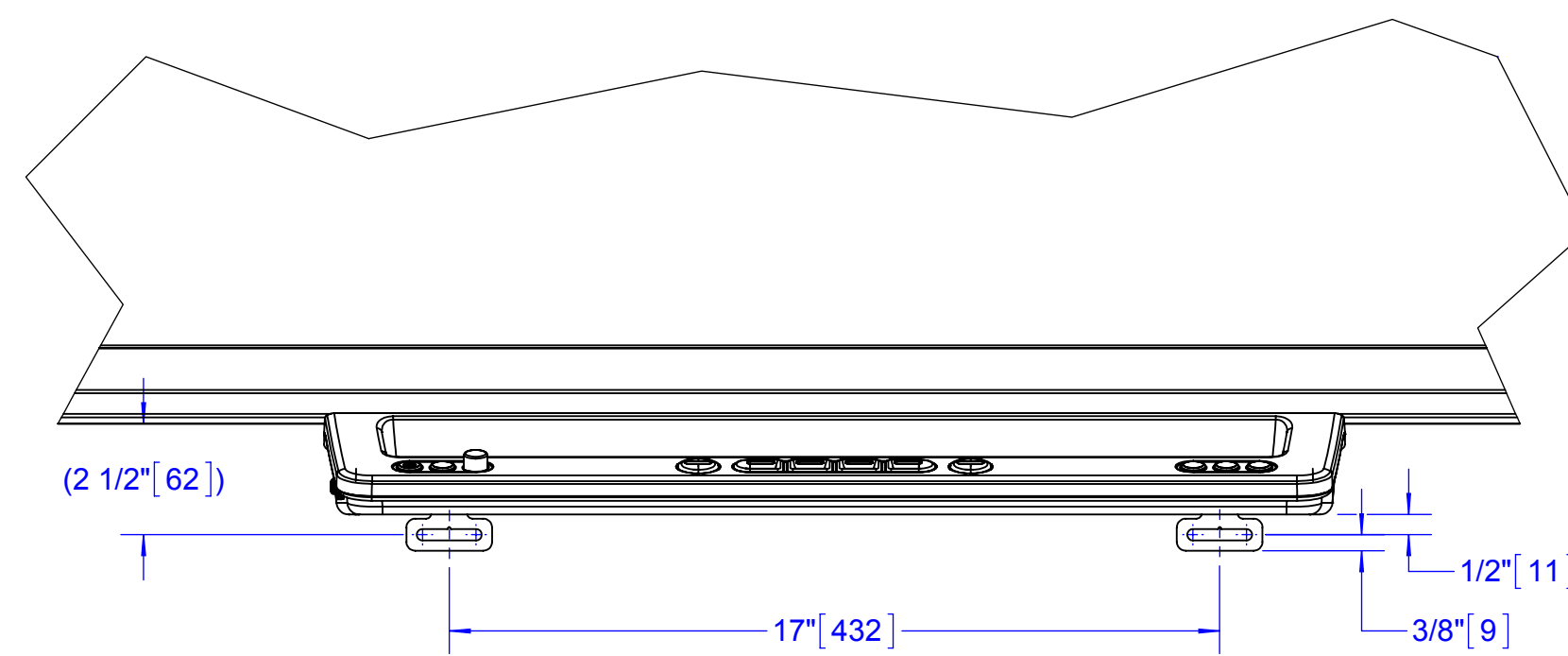
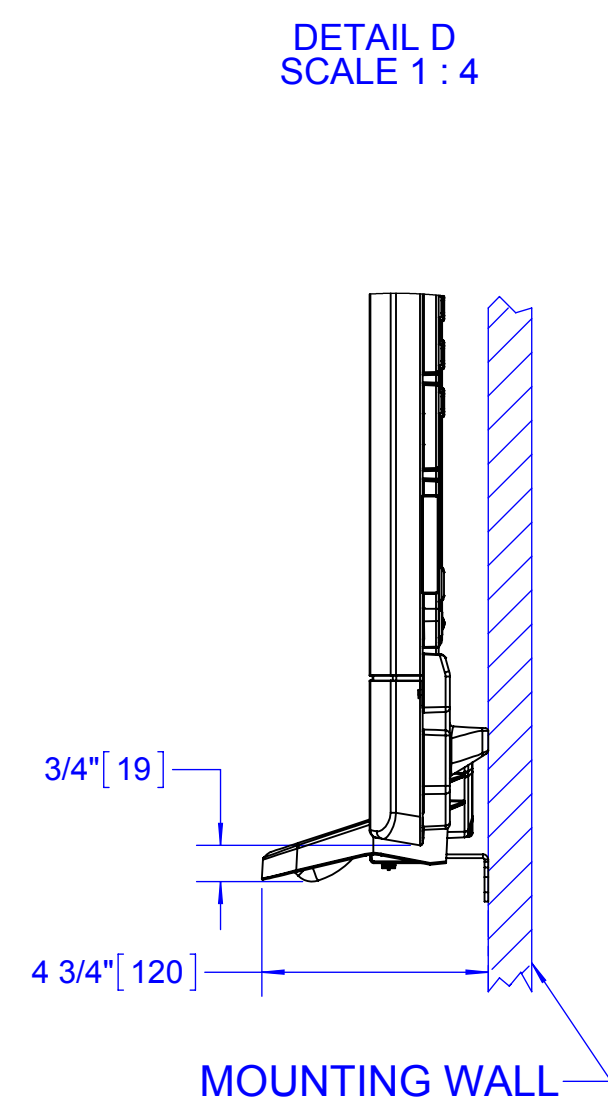
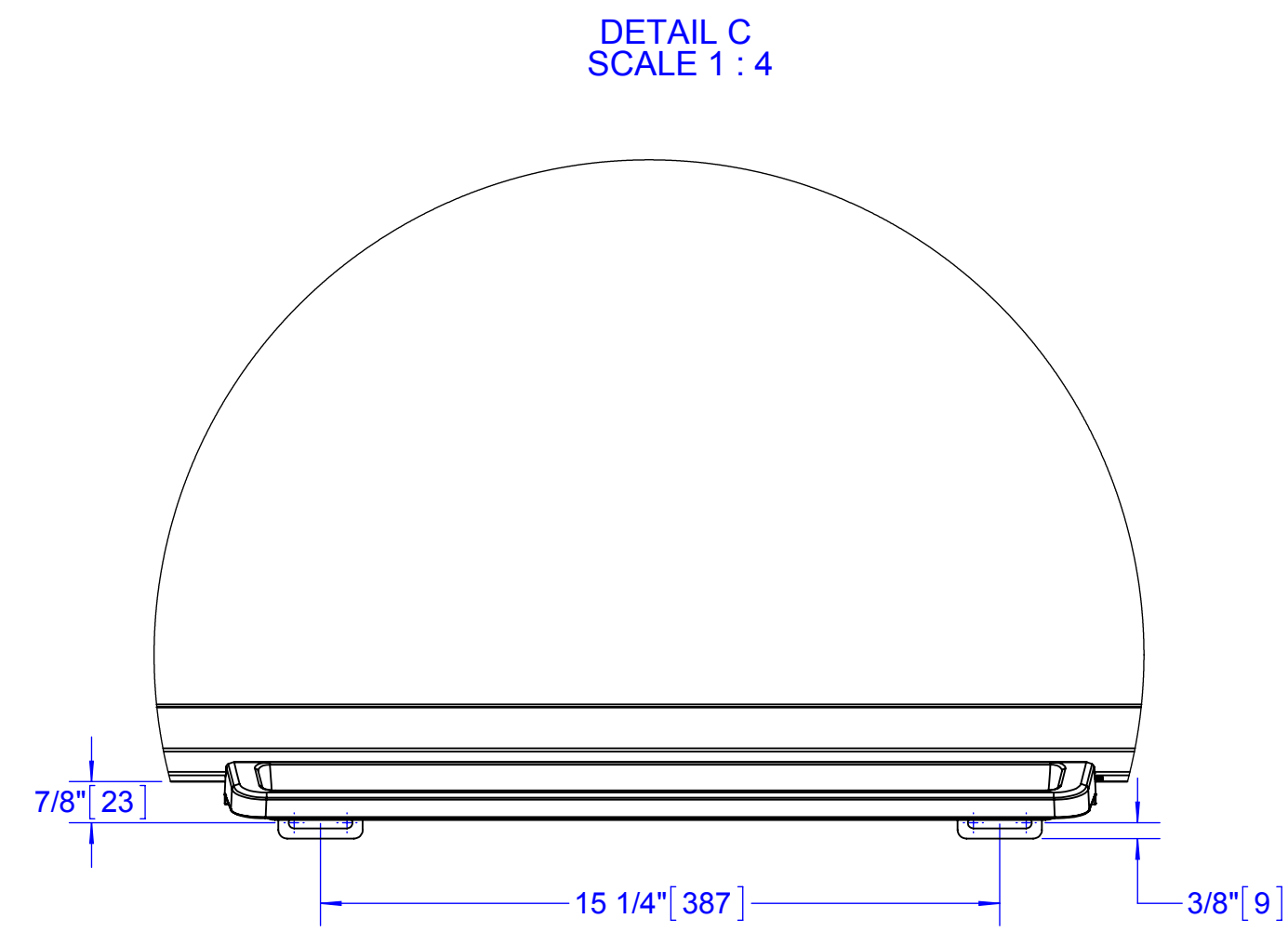
Dimensions are subject to change without notice.

All dimensions +/-1/8 (3mm)

NOTE: DO NOT SCALE

The contents of this document are compiled from a variety of documents to provide a consolidated view of key criteria. Should there be any information you need that is not adequately captured in either this document or the related documents, please contact us at [ecosystem@smarttech.com](mailto:ecosystem@smarttech.com) for assistance.

This document is uncontrolled at the time of printing. Please ensure you are using the latest revision available at [sen.smarttech.com](http://sen.smarttech.com)



3636 Research Road NW  
Calgary, Alberta T2L 1Y1  
CANADA

© 2012 SMART Technologies ULC. All rights reserved. The SMART logo, smarttech and all SMART taglines are trademarks or registered trademarks of SMART Technologies ULC in the U.S. and/or other countries.

This product and/or use thereof covered by one or more of the following U.S. patents.

[www.smarttech.com/patents](http://www.smarttech.com/patents)